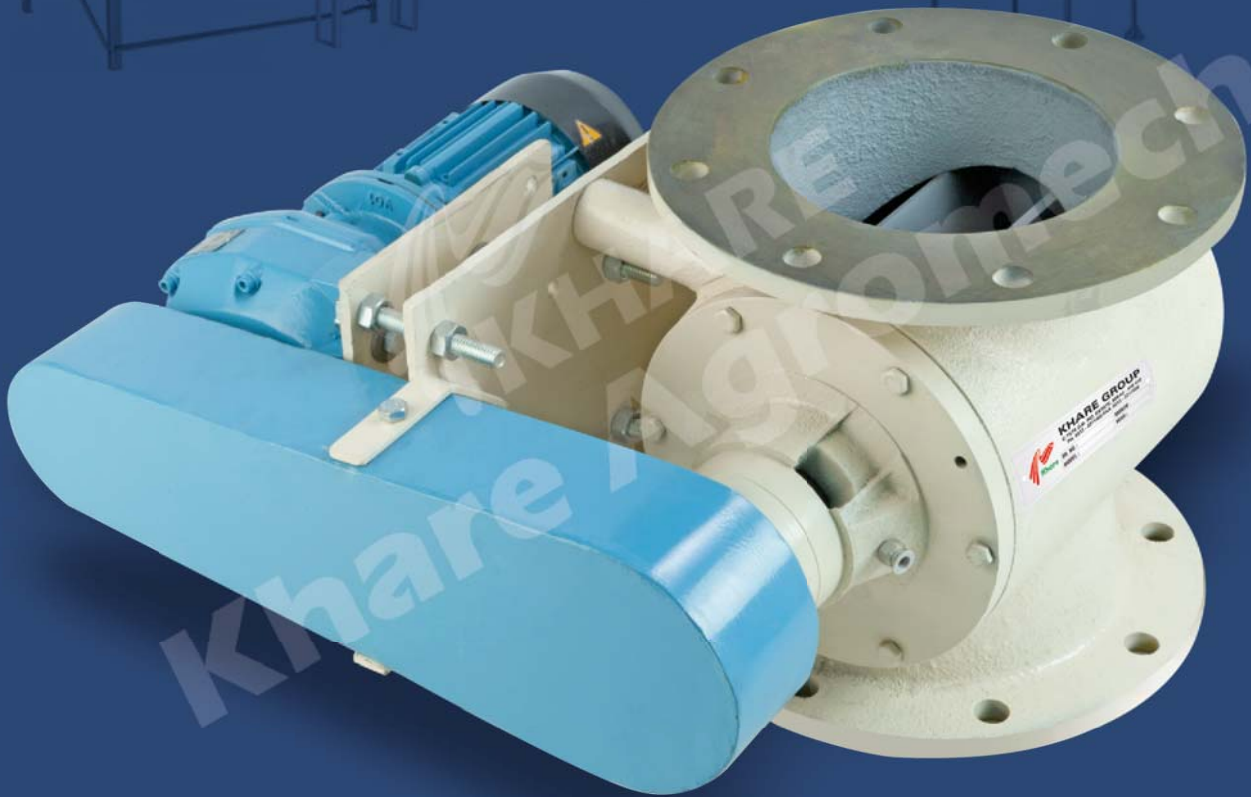




ROTARY AIR LOCK

our engineering your satisfaction...



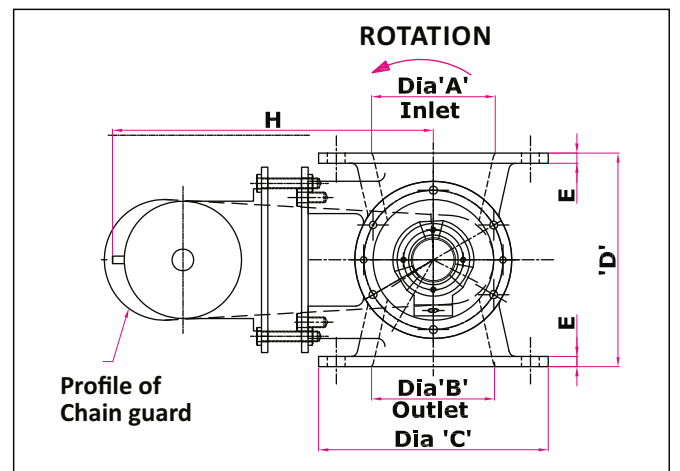
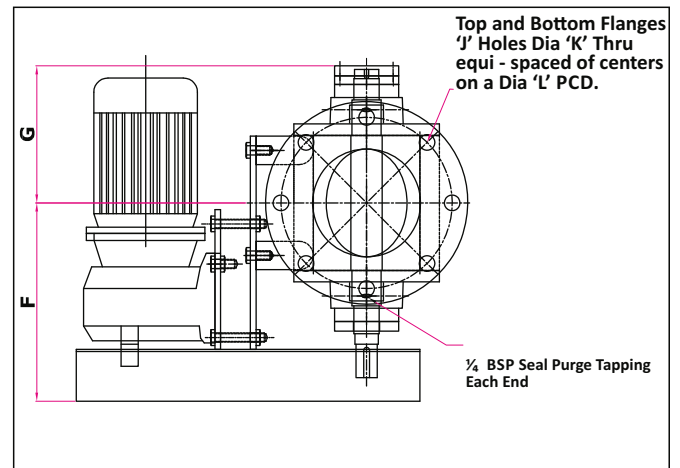
Khare Rotary air locks are designed by a team of engineers with considerable experience in design, application and after sales service to give customer confidence. Khare Rotary air locks are manufactured on highly precision machines like CNC and VMC machines, to maintain minimum clearance between body and rotor. The clearance is maintained as close as 0.1mm.

Rotary air locks have three main functions:

- 1) Feeder applications with no pressure used purely to feed product from a bin or hopper.
- 2) Filter applications e.g. cyclones, baghouses and various collectors where fine dust must be collected whilst maintaining an air seal.
- 3) Pneumatic conveying applications where feeding material into a system against pressure or vacuum.

Standard features

- 1) Heavy duty casting (Cast Iron) for body and end covers.
- 2) Good throat opening at valve entry allowing high pocket filling efficiency.
- 3) Rotor (Fabricated EN8 steel) robustly constructed to minimize the deflection.
- 4) Minimum clearance between rotor tip and body.
- 5) End covers doweled with body to achieve best concentricity.
- 6) Out board bearings (Sealed for life ball type) for non contamination.
- 7) Precision machining of components on CNC and VMC machines.
- 8) Shaft seal – Leap seals.
- 9) Drive – TEFC geared motor unit mounted on valve body complete with sprocket and chain drive all enclosed in guard.



Sr No.	Size in Inch	Liters/ Rev	100%	100%	100%	98%	95%	90%	88%	86%	84%	81%	78%	74%	71%	68%
1	6"	2.1	126	252	504	741	958	1134	1331	1517	1693	1837	1966	2051	2147	2228
2	8"	5.13	308	616	1231	1810	2339	2770	3250	3760	4137	4488	4802	5011	5245	5442
3	10"	10.1	606	1212	2424	3563	4606	5454	6399	7296	8145	8835	9454	9866	10326	10714
4	12"	16.5	990	1980	3960	5812	7524	8910	10454	11920	13306	14434	15444	16117	16870	17503
			1	2	4	6	8	10	12	14	16	18	20	22	24	26
			Rotor Speed in RPM													

Air Lock Specification														
Valve Size	Dia 'A'	Dia 'B'	Dia 'C'	Dia 'D'	Dia 'E'	Dia 'F'	Dia 'G'	Dia 'H'	Dia 'J'	Dia 'K'	Dia 'L' PCD	L/Rev	HP	
6"	150	150	285	265	12.7	279	193	398	8	22	241	2.1	0.5	
8"	200	200	343	320	15	315	247	423	8	22	298.4	5.13	0.5	
10"	250	250	406.4	393	19	342	271	491	12	25.4	362	10.1	1.0	
12"	300	300	482.6	455	19	367	296	529	12	25.4	400	16.5	1.0	



Manufactured By

KHARE AGRO-MECH INDUSTRIES PVT. LTD.

B-7/14. M.I.D.C. MIRAJ 416 410. INDIA Tel.: +91-233 2645205, 2644204

E-mail: sales@kharegroup.com, mkt@kharegroup.com

www.kharegroup.com, www.khareagromech.com